

441/2

Powered by: www.atikaschool.com

HOME SCIENCE (CLOTHING CONSTRUCTION)

Paper 2

(PRACTICAL)

Oct./Nov. 2015

2½ hours



THE KENYA NATIONAL EXAMINATIONS COUNCIL

Kenya Certificate of Secondary Education

HOME SCIENCE (CLOTHING CONSTRUCTION)

Paper 2

(PRACTICAL)

2½ hours



05400201

Instructions to candidates

- (a) This paper consists of 4 printed pages.*
- (b) Candidates should check the question paper to ascertain that all the pages are printed as indicated and that no questions are missing.*
- (c) Candidates **MUST** use machine stitches appropriately in the construction of the garment. Hand stitches used **INSTEAD** of machine stitches will not be marked.*
- (d) Hand stitches will only be allowed for the making of hemming and tacking stitches.*



915046

© 2015 The Kenya National Examinations Council



Turn over

A pattern of a pair of shorts is provided. You are advised to study the sketches, instructions and the layout carefully before you begin the test.

MATERIALS PROVIDED

1. Pattern Pieces
 - A. Short front
 - B. Short back
 - C. In-seam pocket
 - D. Waistband
2. Plain lightweight cotton fabric 60 cm long and 90 cm wide.
3. Sewing thread to match.
4. One large envelope.

THE TEST

Using the materials provided, lay, cut out and make **ONE LEG** of the pair of shorts to show the following processes:

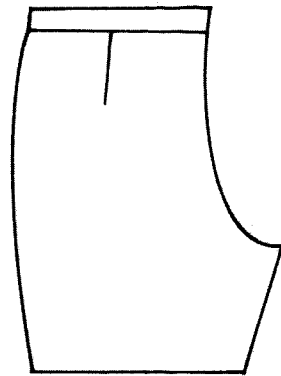
- (a) Cutting out. (9 marks)
- (b) Making of the back dart. (8 marks)
- (c) Attaching the in-seam pocket. (16 marks)
- (d) Working of the side seam using an open seam. (Above and below the pocket.) (9½ marks)
- (e) Working of the inner leg seam using a double stitched seam. (8 marks)
- (f) Making the knife pleats on the short front. (9 marks)
- (g) Preparing and attaching the waistband. (**Do not interface**) (11 marks)

- (h) Completing half of the waistband using hemming stitches. (3 marks)
- (i) Managing the hem of the short by holding it in place using tacking stitches. (10 marks)
- (j) Overall presentation. (6½ marks)

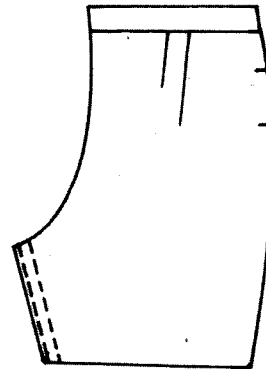
At the end of the examination, firmly sew onto your work, on a single fabric, a label bearing your name and index number. Remove the needle, pins and loose threads from your work. Fold your work neatly and place it in the envelope provided.

Do not put scraps of fabric in the envelope.

SHORT VIEW

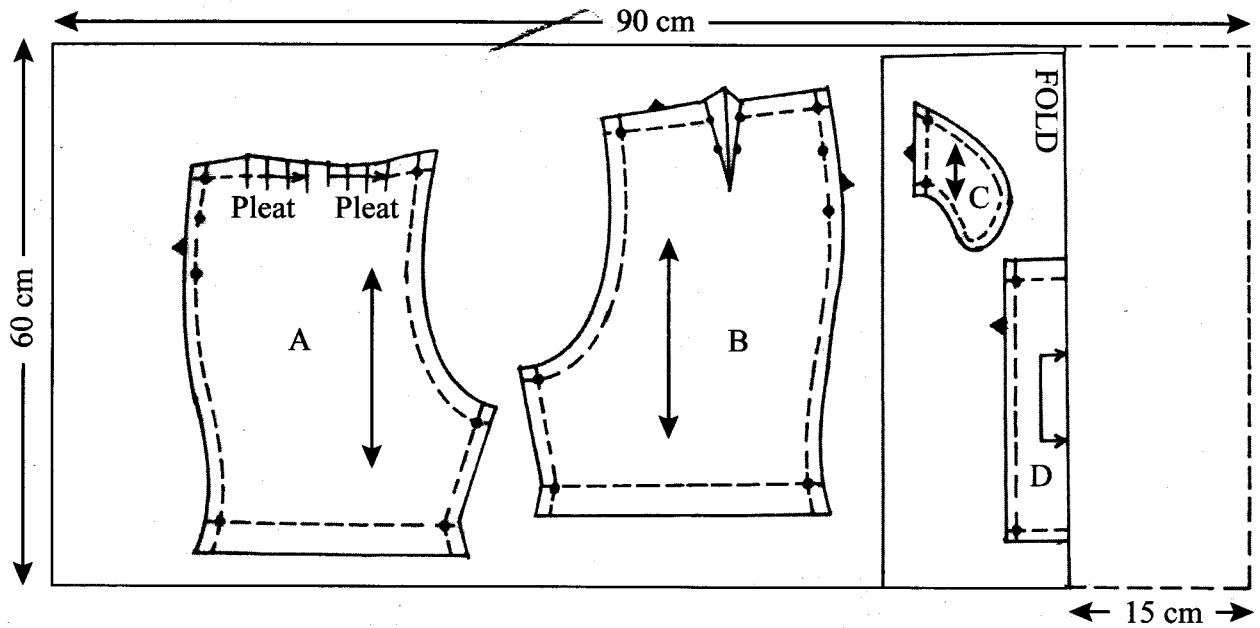


BACK



FRONT

LAYOUT (not drawn to scale)



THIS IS THE LAST PRINTED PAGE